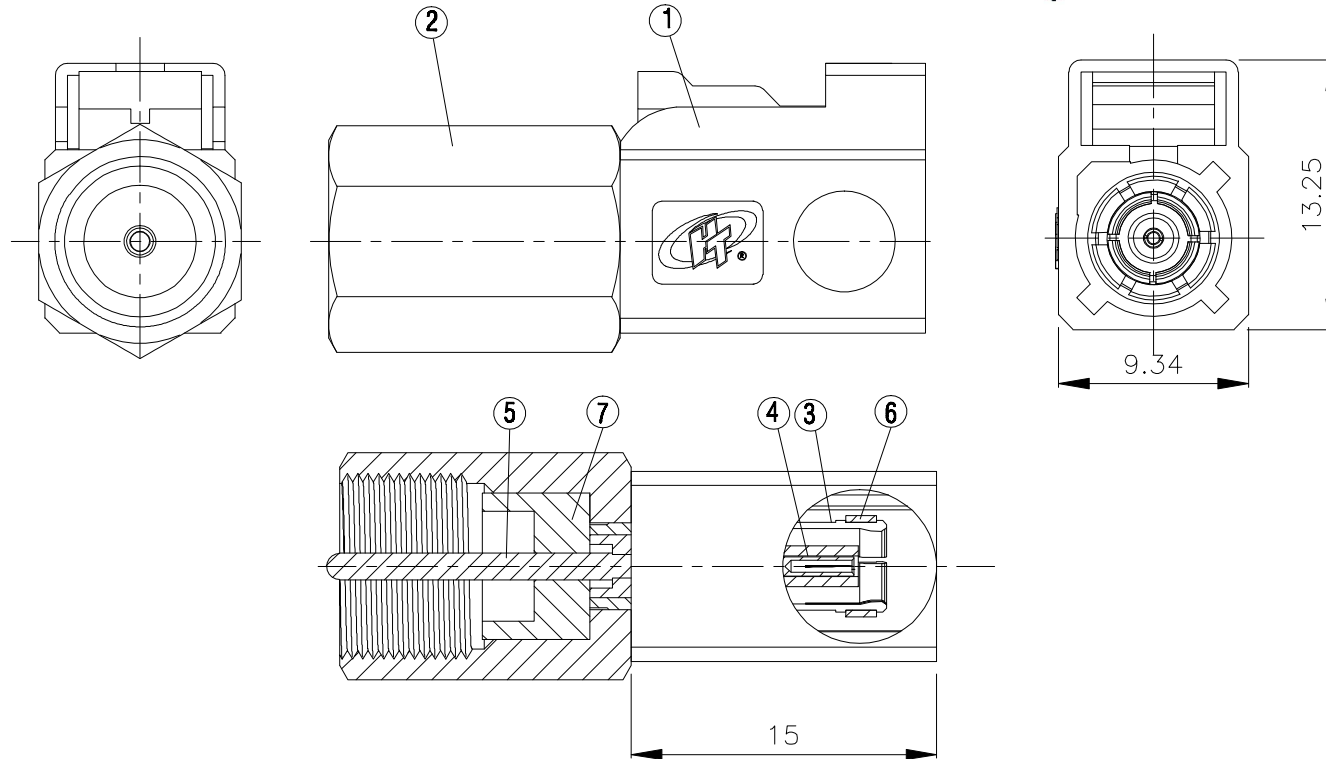
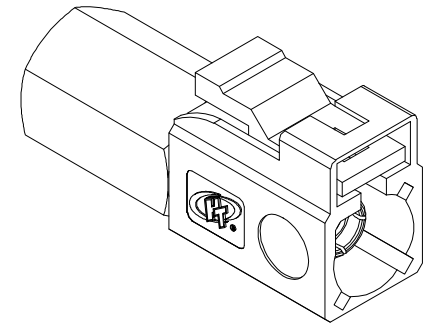
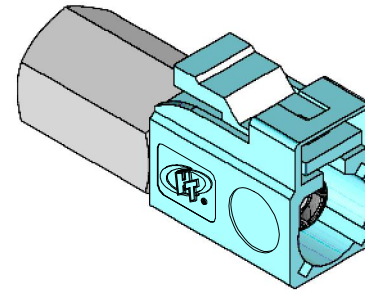


| NO | DESCRIPTION | MATERIAL | Q'TY | FINISH | REMARK |
|----|--------------|----------|------|--------|---------------|
| 1 | BODY 1 | PBT | 1 | PBT | B-FKR1348-Z51 |
| 2 | BODY 2 | BRASS | 1 | NICKEL | B-FKR1834-N |
| 3 | BODY 3 | BRASS | 1 | NICKEL | B-FKR1349-N |
| 4 | INSULATION 1 | TEFLON | 1 | TEFLON | I-0656T |
| 5 | PIN | PH.BRONZ | 1 | GOLD | P-FKR1251-G |
| 6 | WASHER 1 | BE CU | 1 | GOLD | W-0035 |
| 7 | INSULATION 2 | TEFLON | 1 | TEFLON | I-0066D |
| 8 | BODY 4 | PBT | 1 | PBT | B-FKR1308 |

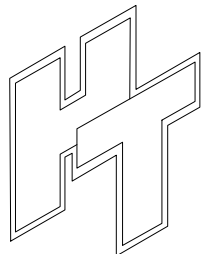


D

C

B

A



HUS-TSAN GROUP CO., LTD.
P.O.BOX 40-76.TAINAN.TAIWAN,R.O.C.
TITLE FAKRA FEMALE FME MALE ADAPOR
WATERBLUE/Z5021 水藍色
PART NO. FKR-14-TGNPZ
DRAWING NO. FMR-14-TGNPZ

DRAWN 林孟翰 **DATE** 102.12.12
CHECKED 林孟翰 **DATE** 102.12.12
Q.A. 黃玉雯 **DATE**
APPROVAL 徐燦霖 **DATE**
REVISION **DATE**

DIMENSIONS ARE IN MILLMETERS
UNLESS OTHERWISE SPECIFIED TOLERANCE
0.5-5=±0.2 120-315=±1
5-30=±0.4 315-1000=±1.6
30-120±0.6 1000-2000=±2.4
SCALE 4:1 **SIZE** A

| REVISION | |
|-------------|----------|
| DESCRIPTION | ENGINEER |
| | |
| | |
| | |

4

3

2

1